



Parker Legris
On-Road Brochure



ENGINEERING YOUR SUCCESS.



Premium Customer Service

Certified
ISO TS16949 / ISO 14001

Quality
Management

In-house Lab Testing
& Certification

Engineering
Expertise

Project
Management

Custom Product &
Co-Development

Innovation Network



Parker Legris

Provider of Innovative Fluid Handling
Solutions for Transportation

Our DNA

Inventor of **push-to-connect technology**, we constantly strive to **design, manufacture and customise easy-to-assemble innovative fluid handling** solutions distributed anywhere across the globe.

Our Expertise

Experts in **optimising flow, compactness, reliability** and **robustness**, we guarantee **fluid integrity** to offer the solution adapted to your product environment.



Our Capabilities in Transportation

- Air brake and auxiliary pneumatic systems specialist
- Expert in customised manifolds
- Ability to reach market standards ISO / DIN / DOT / SAE
- OEM support through our application engineers
- On-time delivery focus: Dedicated teams for each order follow-up
- Quality Management and traceability of our 100% tested products are at the very heart of our manufacturing processes
- Strong aftermarket support: Parkers worldwide distribution network

Applications



Trucks



Prestomatic Brass



Prestomatic Composite



LF3400



LF3000



Prestofuel



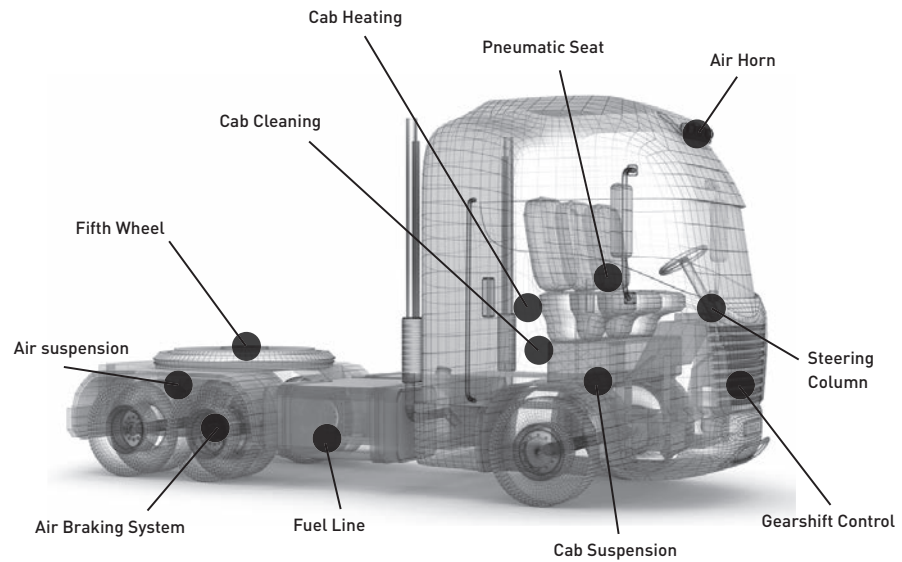
Manifolds



PA Tubing



Blowguns



Trailers



Prestomatic Brass



Prestomatic Composite



LF3400



LF3000



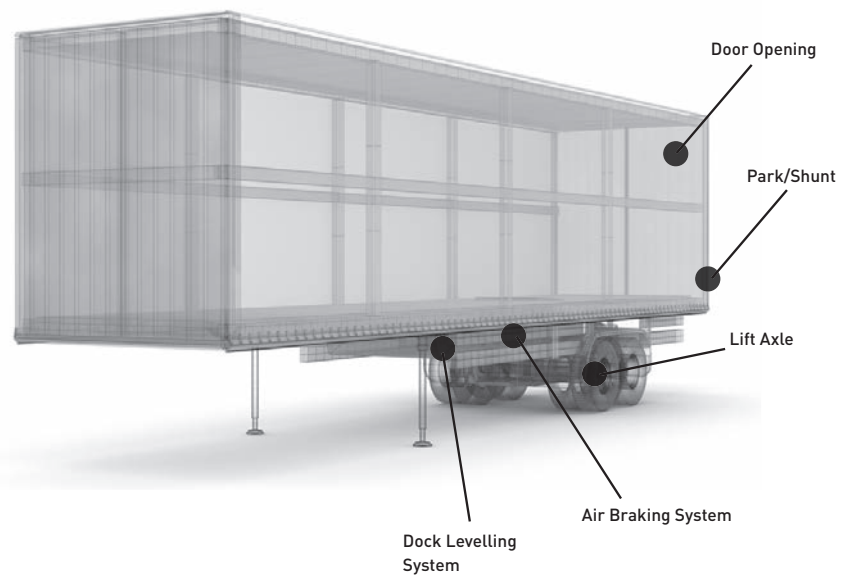
LF3600



Cartridge



PA Tubing

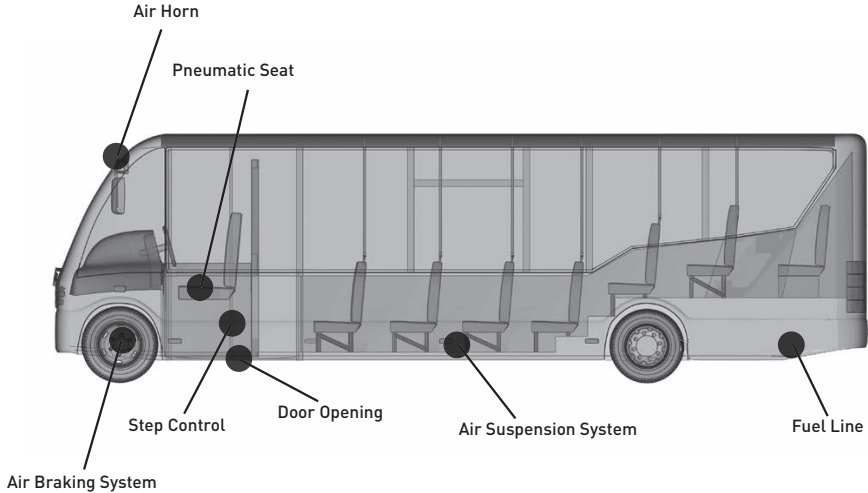


Applications



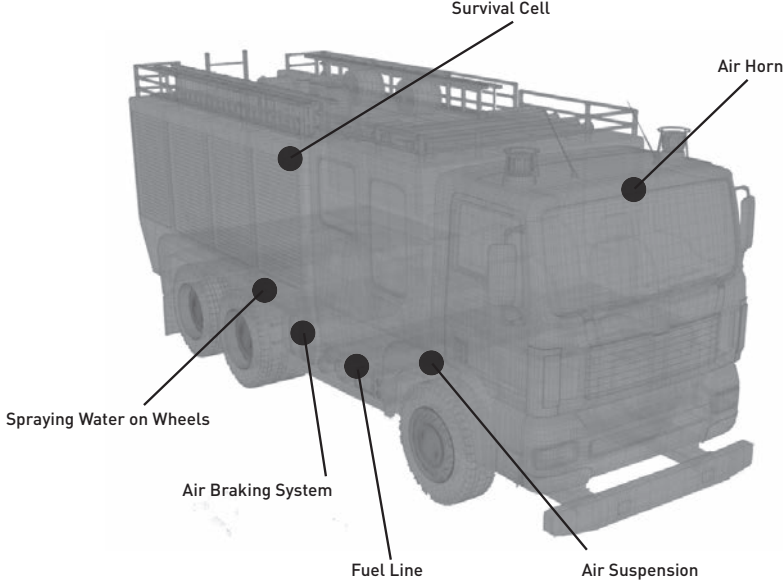
Buses

-  Prestomatic Brass
-  Prestomatic Composite
-  LF3000
-  Prestofuel
-  Cartridge
-  PU Tubing
-  Flow Regulator
-  Silencers



Special vehicles

-  Prestomatic Brass
-  Prestomatic Composite
-  LF3400
-  LF3000
-  LF3600
-  PU Tubing
-  Flow Control
-  Non Return Valves
-  Valves

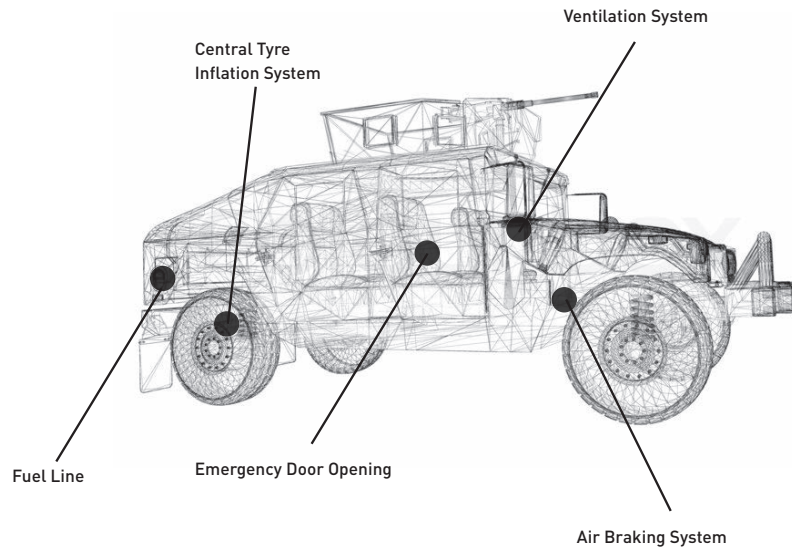


Applications



Defence

-  Prestomatic Brass
-  Prestomatic Composite
-  LF3400
-  LF3000
-  LF3600
-  Cartridge
-  PA Tubing
-  Flow Control
-  Prestofuel



Agricultural Machinery

-  Prestomatic Brass
-  Prestomatic Composite
-  LF3400
-  LF3000
-  Prestofuel
-  PA Tubing

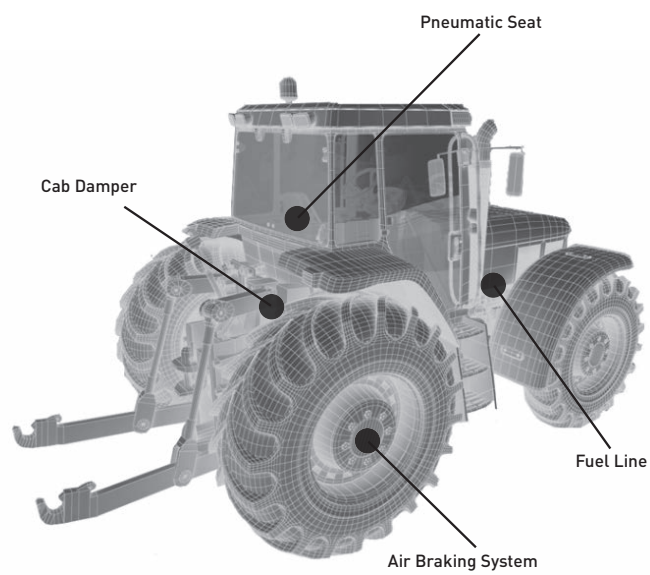


Table of Contents

Prestomatic Push-In Fittings

Prestomatic Brass - Stud Fittings

Straights

F8UNPMB
Page 10



F2NPMB
Page 10



WE0NPMB
Page 10



WF8UNPMB
Page 10



Elbows

C8UNPMB
Page 10



V8UNPMB
Page 10



CWE0NPMB
Page 10



F Connector

CS8UNPMB
Page 10



Tees

S8UNPMB
Page 11



R8UNPMB
Page 11



Test Point Tees

R8UNPMBPPA
Page 11



R8BPPA
Page 11



S8UNPMBPPAM
Page 11



Prestomatic Brass - Tube-to-Tube Fittings

Straights

HNPMB
Page 11



WNPMB
Page 11



Elbow Plug In

T2ENPMB
Page 11



Tee

JNPMB
Page 11



Prestomatic Composite Fittings

Elbows

C68UNPMK
Page 12



V68UNPMK
Page 12



CWE0NPMK
Page 12



F Connector

CS68UNPMK
Page 12



Tees

R68UNPMK
Page 12



JNPMK
Page 12



Tees

RE68UNPMK
Page 12



S68UNPMK
Page 12



SWE0NPMK
Page 13



Test Point Tees

R68KPPA
Page 13



S68KPPAM
Page 13



RE68KPPA
Page 13



Adaptors and Accessories for Braking Systems

Elbows

D8C8UB
Page 14



D8V8UB
Page 14



MR08UB
Page 14



MMS8UB
Page 14



MM08BKT
Page 14



Tees

Reducers

F8UG8B
Page 14



Conversion Fittings

F8UG
Page 14



Straight Connectors

F8UHA8UB
Page 14



Bulkhead Connector Fittings

WGG88B
Page 15



WG8F8UB
Page 15



Test Points

PPRF8UM
Page 15



Plugs and Accessories

P8UNBL
Page 15



3126
Page 15



VDPF8UM
Page 15



WLN8
Page 15



Table of Contents

LF 3400 Push-In Fittings

Stud Fittings

3471
Page 17



3479
Page 17



3478
Page 17



Tube-To-Tube Fittings

3476
Page 17



3474
Page 17



3470
Page 17



3467
Page 17



Plug-In Fittings and Accessories

3462
Page 17



3463
Page 17



3464
Page 17



3150
Page 17



Cartridges

3100
Page 18



3400
Page 18



Fuel Fittings

Prestomatic Fuel Fittings

F8UNDFB-V
Page 19



C8UNDFB-V
Page 19



SAE Fuel Fittings

F8USAEBV
Page 19



PA Tubing

PA Tubing - DIN74324

Page 20



Prestomatic Push-In Fittings

Based on more than 50 years of expertise in **innovative fluid handling solutions**, we offer Prestomatic **brass and composite push-in fittings** range for the installation of your pneumatic **airbrake circuits**.



Product Advantages

Simplification of Pneumatic Systems Installation

Our push-to-connect technology guarantee an easy-to-assemble and a fully re-usable product.

The excellent mechanical properties of our technical polymer offer significant weight reduction to your global system.

Increased lifespan thanks to the temperature resistance from -40°C to +100°C.

Compactness for space-saving.

Our many configurations enable the system to be designed using the optimum number of fittings.

Safety of your Installation

Positive tube retention by a flexible stainless steel grab ring.

The special shape of the radial teeth of the grab ring prevents longitudinal scratch marks on the tube.

The elasticity of the grab ring absorbs vibration and pulsating pressure.

Twist-free assembly allowing free tube rotation even under pressure.

The encapsulated O-ring is tolerant of imperfect sealing surfaces and maintains a leak free connection even under high vibration conditions.

Even if a low assembly torque is required to obtain a leak free seal, the threads are resistant to over torqueing.

Our Prestomatic brass shaped fittings are designed to enable the fitting to be assembled to the desired position. This allows accurate alignment of the tube and reduces stress in the system.

Integrated tube support reinforces tube alignment and tube retention for:

- excellent resistance to vibration
- sealing ensured over time
- increased resistance to tube pull out

Quality and Traceability of our Products

Products 100% leak-tested in production.

Systematic Vision-control to guarantee robustness of the production process.

Individual component traceability with product date coding.

Only Premium quality raw materials used.

Technical Characteristics

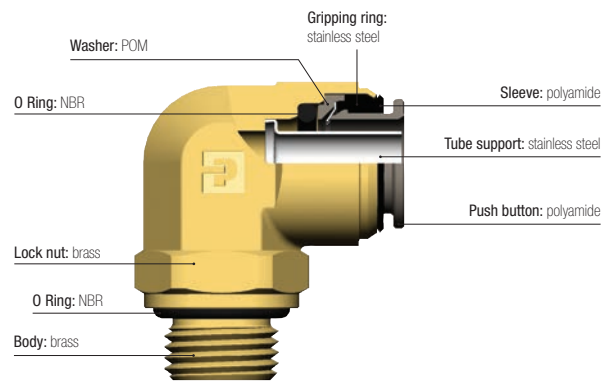
Prestomatic Brass

Compatible Fluids	Compressed air
Working Pressure	25 bar
Working Temperature	-40°C to +100°C

Tightening Torques (daN.m)	Threads				
	M10x1	M12x1.5	M14x1.5	M16x1.5	M22x1.5
	0.8 to 1	1 to 1.5	1.5 to 2	1.5 to 2	2 to 3

Metric threads are designed to fit ports conforming to ISO 9974-1, ISO 6149-1 and ISO 4039-2 standards

Component Materials



Silicone-free

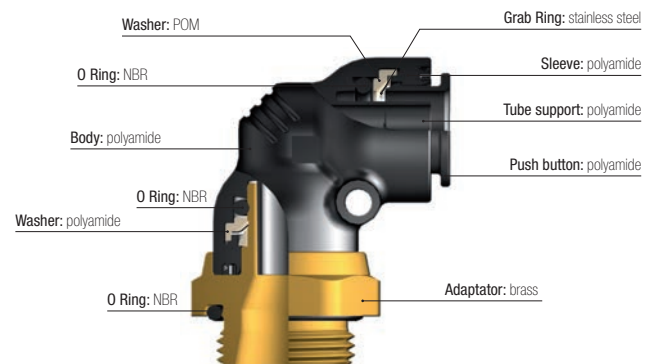
Prestomatic Composite

Compatible Fluids	Compressed air
Working Pressure	25 bar
Working Temperature	-40°C to +100°C

Tightening Torques (daN.m)	Threads				
	M10x1	M12x1.5	M14x1.5	M16x1.5	M22x1.5
	0.8 to 1	1 to 1.5	1.5 to 2	1.5 to 2	2 to 3

Metric threads are designed to fit ports conforming to ISO 9974-1, ISO 6149-1 and ISO 4039-2 standards

Component Materials



Silicone-free

Regulations

EN 45545-2: HL3, R22, R24, R25 classification can be attained when used with fireproof tubing

Fully adapted to transportation braking system applications with tubing:

DIN 74324-1
DIN 73378
NF-R12-632-2
ISO 7628

Prestomatic Brass Push-In Fittings

F8UNPMB

Brass, NBR



ØD	C	
6x4	M10x1	F8UNPMB6M10
	M12x1.5	F8UNPMB6M12
	M16x1.5	F8UNPMB6M16
8x6	M22x1.5	F8UNPMB6M22
	M12x1.5	F8UNPMB8M12
	M14x1.5	F8UNPMB8M14
10x7.5	M16x1.5	F8UNPMB8M16
	M22x1.5	F8UNPMB8M22
	M12x1.5	F8UNPMB10M12
12x9	M14x1.5	F8UNPMB10M14
	M16x1.5	F8UNPMB10M16
	M22x1.5	F8UNPMB10M22
16x12	M12x1.5	F8UNPMB12M12
	M16x1.5	F8UNPMB12M16
	M22x1.5	F8UNPMB12M22

F2NPMB

Brass, NBR



ØD	C	
6x4	NPT1/8	F2NPMB6-1/8
	NPT1/4	F2NPMB6-1/4
	NPT3/8	F2NPMB6-3/8
8x6	NPT1/4	F2NPMB8-1/4
	NPT3/8	F2NPMB8-3/8
10x7.5	NPT1/4	F2NPMB10-1/4
	NPT1/2	F2NPMB10-1/2
12x9	NPT3/8	F2NPMB12-3/8
	NPT1/2	F2NPMB12-1/2

WEONPMB

Brass, NBR



ØD	DIN	C	
8x6	8L	M14x1.5	WEONPMB8-8L
	10L	M16x1.5	WEONPMB8-10L
	12L	M18x1.5	WEONPMB8-12L
12x9	12L	M18x1.5	WEONPMB12-12L

Port design to ISO8434-1 for steel tube and hoses.

DIN

WF8UNPMB

Brass, NBR



ØD	C	C1	
10x7.5	M16x1.5	M24x1.5	WF8UNPMB10M16
	M22x1.5	M24x1.5	WF8UNPMB10M22
12x9	M16x1.5	M24x1.5	WF8UNPMB12M16
	M22x1.5	M24x1.5	WF8UNPMB12M22

C

C8UNPMB

Brass, NBR



ØD	C	
6x4	M10x1	C8UNPMB6M10
	M12x1.5	C8UNPMB6M12
	M16x1.5	C8UNPMB6M16
8x6	M22x1.5	C8UNPMB6M22
	M12x1.5	C8UNPMB8M12
	M14x1.5	C8UNPMB8M14
10x7.5	M16x1.5	C8UNPMB8M16
	M22x1.5	C8UNPMB8M22
	M12x1.5	C8UNPMB10M12
12x9	M14x1.5	C8UNPMB10M14
	M16x1.5	C8UNPMB10M16
	M22x1.5	C8UNPMB10M22
16x12	M12x1.5	C8UNPMB12M12
	M16x1.5	C8UNPMB12M16
	M22x1.5	C8UNPMB12M22

The body can be locked in the desired orientation with the locknut.

V8UNPMB

Brass, NBR



ØD	C	
10x7.5	M22x1.5	V8UNPMB10M22
12x9	M16x1.5	V8UNPMB12M16
	M22x1.5	V8UNPMB12M22
16x12	M22x1.5	V8UNPMB16M22

The body can be locked in the desired orientation with the locknut.

CWEONPMB

Brass, NBR



ØD	DIN	C	
8x6	15L	M22x1.5	CWEONPMB8-15L
	12L	M18x1.5	CWEONPMB12-12L
12x9	15L	M22x1.5	CWEONPMB12-15L

Port design to ISO8434-1 for steel tube or hoses.

DIN

CS8UNPMB

Brass, NBR



ØD	C	
10x7.5	M22x1.5	CS8UNPMB10M22
12x9	M16x1.5	CS8UNPMB12M16
	M22x1.5	CS8UNPMB12M22


The body can be locked in the desired orientation with the locknut.

Prestomatic Brass Push-In Fittings

S8UNPMB

Brass, NBR




ØD	C	
8x6	M16x1.5	S8UNPMB8M16
	M22x1.5	S8UNPMB8M22
10x7.5	M16x1.5	S8UNPMB10M16
	M22x1.5	S8UNPMB10M22
12x9	M16x1.5	S8UNPMB12M16
	M22x1.5	S8UNPMB12M22

The body can be locked in the desired orientation with the locknut.

R8UNPMB

Brass, NBR




ØD	C	
8x6	M16x1.5	R8UNPMB8M16
	M22x1.5	R8UNPMB8M22
10x7.5	M16x1.5	R8UNPMB10M16
	M22x1.5	R8UNPMB10M22
12x9	M16x1.5	R8UNPMB12M16
	M22x1.5	R8UNPMB12M22

The body can be locked in the desired orientation with the locknut.

S8UNPMBPPAM

Brass, NBR



ØD	C	
10x7.5	M16x1.5	S8UNPMB10PPAM16
	M22x1.5	S8UNPMB10PPAM22
12x9	M16x1.5	S8UNPMB12PPAM16
	M22x1.5	S8UNPMB12PPAM22


Test Point thread = M16x1.5

The body can be locked in the desired orientation with the locknut.

R8UNPMBPPA

Brass, NBR



ØD	C	
12x9	M16x1.5	R8UNPMB12M16PPA
	M22x1.5	R8UNPMB12M22PPA


Test Point thread = M16x1.5

The body can be locked in the desired orientation with the locknut.

R8UNPMBPPAM

Brass, NBR



ØD	C	
12x9	M16x1.5	R8BPPAM16-12
	M22x1.5	R8BPPAM22-12


Test Point thread = M16x1.5

The body can be locked in the desired orientation with the locknut.

HNPMB

Brass, NBR



ØD	
6x4	HNPMB6
8x6	HNPMB8
10x7.5	HNPMB10
12x9	HNPMB12
16x12	HNPMB16

WNPMB

Brass, NBR




ØD	C	
6x4	M18x1.5	WNPMB6
8x6	M20x1.5	WNPMB8
10x7.5	M22x1.5	WNPMB10
12x9	M24x1.5	WNPMB12

T2ENPMB

Brass, NBR




ØD	ØD1	
6x4	8	T2ENPMB6
8x6	8	T2ENPMB8
10x7.5	12	T2ENPMB10
12x9	12	T2ENPMB12

D1

JNPMB

Brass, NBR



ØD	
6x4	JNPMB6
8x6	JNPMB8
10x7.5	JNPMB10
12x9	JNPMB12
16x12	JNPMB16

Prestomatic Composite Push-In Fittings

C68UNPMK

Technical polymer, brass, NBR



ØD	C	
8x6	M12x1.5	C68UNPMK8M12
	M14x1.5	C68UNPMK8M14
	M16x1.5	C68UNPMK8M16
10x7.5	M22x1.5	C68UNPMK8M22
	M12x1.5	C68UNPMK10M12
12x9	M16x1.5	C68UNPMK10M16
	M22x1.5	C68UNPMK10M22
16x12	M12x1.5	C68UNPMK12M12
	M16x1.5	C68UNPMK12M16
16x12	M22x1.5	C68UNPMK12M22
	M16x1.5	C68UNPMK16M16
16x12	M22x1.5	C68UNPMK16M22

The body swivels for positioning purposes.

V68UNPMK

Technical polymer, brass, NBR



ØD	C	
10x7.5	M22x1.5	V68UNPMK10M22
12x9	M16x1.5	V68UNPMK12M16
	M22x1.5	V68UNPMK12M22
16x12	M16x1.5	V68UNPMK16M16
	M22x1.5	V68UNPMK16M22

The body swivels for positioning purposes.

CWEONPMK

Technical polymer, brass, NBR



DIN

ØD	DIN	C	
10x7.5	12L	M18x1.5	CWEONPMK10-12L
	15L	M22x1.5	CWEONPMK10-15L
12x9	12L	M18x1.5	CWEONPMK12-12L
	15L	M22x1.5	CWEONPMK12-15L

Port design ISO8434-1 for steel tube and hoses.

The body swivels for positioning purposes.

CS68UNPMK

Technical polymer, brass, NBR



ØD1	ØD2	C	
10x7.5	10x7.5	M16x1.5	CS68UNPMK10M16
		M22x1.5	CS68UNPMK10M22
12x9	8x6	M22x1.5	CS68K12-8M22
	10x7.5	M16x1.5	CS68K12-10M16
	10x7.5	M22x1.5	CS68K12-10M22

The body swivels for positioning purposes.

R68UNPMK

Technical polymer, brass, NBR



ØD	C	
8x6	M12x1.5	R68UNPMK8M12
	M16x1.5	R68UNPMK8M16
	M22x1.5	R68UNPMK8M22
10x7.5	M16x1.5	R68UNPMK10M16
	M22x1.5	R68UNPMK10M22
12x9	M16x1.5	R68UNPMK12M16
	M22x1.5	R68UNPMK12M22
16x12	M16x1.5	R68UNPMK16M16
	M22x1.5	R68UNPMK16M22

The body swivels for positioning purposes.

JNPMK

Technical polymer, NBR



ØD	
8x6	JNPMK8
10x7.5	JNPMK10
12x9	JNPMK12
16x12	JNPMK16

S68UNPMK

Technical polymer, brass, NBR



ØD	C	
8x6	M12x1.5	S68UNPMK8M12
	M16x1.5	S68UNPMK8M16
	M22x1.5	S68UNPMK8M22
10x7.5	M16x1.5	S68UNPMK10M16
	M22x1.5	S68UNPMK10M22
12x9	M16x1.5	S68UNPMK12M16
	M22x1.5	S68UNPMK12M22
16x12	M16x1.5	S68UNPMK16M16
	M22x1.5	S68UNPMK16M22

The body swivels for positioning purposes.

RE68UNPMK

Technical polymer, brass, NBR



ØD	C	
12x9	M16x1.5	RE68UNPMK12M16
	M22x1.5	RE68UNPMK12M22
16x12	M16x1.5	RE68UNPMK16M16
	M22x1.5	RE68UNPMK16M22

The body swivels for positioning purposes.


Prestomatic Composite Push-In Fittings

SWEONPMK

Technical polymer, brass, NBR



DIN


ØD	DIN	C	
10x7.5	12L	M18x1.5	SWEONPMK10-12L
	15L	M22x1.5	SWEONPMK10-15L
12x9	12L	M18x1.5	SWEONPMK12-12L
	15L	M22x1.5	SWEONPMK12-15L

Port design to ISO8434-1 for steel tube and hoses.
The body swivels for positioning purposes.

R68KPPA

Technical polymer, brass, NBR




ØD	C	
10x7.5	M16x1.5	R68K10M16PPA
	M22x1.5	R68K10M22PPA
12x9	M16x1.5	R68K12M16PPA
	M22x1.5	R68K12M22PPA

The body swivels for positioning purposes.
Test Point thread = M16x1.5

S68KPPAM

Technical polymer, brass, NBR




ØD	C	
10x7.5	M16x1.5	S68K10PPAM16
	M22x1.5	S68K10PPAM22
12x9	M16x1.5	S68K12PPAM16
	M22x1.5	S68K12PPAM22

The body swivels for positioning purposes.
Test Point thread = M16x1.5

RE68KPPA

Technical polymer, brass, NBR



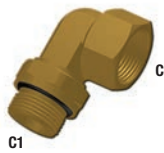
ØD	C	
10x7.5	M16x1.5	RE68K10M16PPA

The body swivels for positioning purposes.
Test Point thread = M16x1.5

Air Brake Adaptors and Accessories

D8C8UB

Brass, NBR



	C	C1	
M16x1.5	M16x1.5		M16M16D8C8UB
	M22x1.5		M16M22D8C8UB
M22x1.5	M22x1.5		M22D8C8UB

The body can be locked in the desired orientation with the locknut.

D8V8UB

Brass, NBR



	C		
M16x1.5			M16M16D8V8UB

The body can be locked in the desired orientation with the locknut.

MR08UB

Brass, NBR

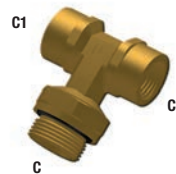


	C	C1	
M12x1.5	M12x1.5		M12MR08UB
	M16x1.5		M16MR08UB
M22x1.5	M16x1.5		M16M22M16MR08UB
	M22x1.5		M22MR08UB

The body can be locked in the desired orientation with the locknut.

MMS8UB

Brass, NBR



	C	C1	
M16x1.5	M16x1.5		M16MMS8UB
	M22x1.5	M16x1.5	M16M16M22MMS8UB

The body can be locked in the desired orientation with the locknut.

MM08BKT

Brass



	C		
M16x1.5			M16MM08BKT

F8UG8B

Brass, NBR



	C	C1	
M16x1.5	M12x1.5		M16M12F8UG8B
	M16x1.5		M22M16F8UG8B

F8UGB

Brass, NBR



	C	C1	
M16x1.5	NPT 1/4		M16-1/4F8UGB
	NPT 3/8		M22-3/8F8UGB

F8UHA8UB

Brass, NBR

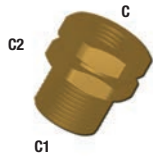


	C	C1	
M16x1.5	M16x1.5		M16F8UHA8UB
	M22x1.5		M16M22F8UHA8UB
M22x1.5	M22x1.5		M22F8UHA8UB

Air Brake Adaptors and Accessories

WGG88B

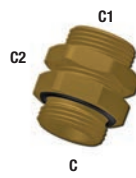
Brass, NBR



C	C1	C2	
M16x1.5	M16x1.5	M22x1.5	M16WGG88BH27
M22x1.5	M16x1.5	M26x1.5	M22M16WGG88B

WG8F8UB

Brass, NBR



C	C1	C2	
M16x1.5	M16x1.5	M22x1.5	M16WG8F8UB
M22x1.5	M16x1.5	M22x1.5	M16M22WG8F8UB

PPRF8UM

Brass, NBR



C	C1	
M16x1.5	M16x1.5	PPRF8UM16
M22x1.5	M16x1.5	PPRF8UM22

VDPF8UM

Brass, NBR



C	
M22x1.5	VDPF8UM22L13

P8UNBL

Brass, NBR



C	
M12x1.5	M12P8UNBL
M14x1.5	M14P8UNBL
M16x1.5	M16P8UNBL
M22x1.5	M22P8UNBL13

3126

Technical polymer



ØD	
6	3126 06 00
8	3126 08 00
10	3126 10 00
12	3126 12 00

WLNBM

Brass



C	
M18x1.5	WLNBM18X1.5
M20x1.5	WLNBM20X1.5
M22x1.5	WLNBM22X1.5
M24x1.5	WLNBM24X1.5

LF 3400 Push-In Fittings

Designed for auxiliary pneumatic circuits but fulfilling the performance requirements of DIN74324, our LF3400 range is an excellent technical and economic solution.

Product Advantages

Security and Productivity

Excellent sealing thanks to captive, creep-resistant seal's position in the fitting.
 Design specification for severe environment (mechanical strength, high and low temperature, chemical attacks, paint).
 Easy to assemble products thanks to our push-to-connect technology: rapid manual connection and disconnection without the need for tools.
 Tube sizes marked on the push button for easy identification.



Quality and Traceability of our Products

Products 100% leak-tested in production.
 Systematic Vision-control to guarantee robustness of the production process.
 Individual component traceability with product date coding.
 Only Premium quality raw materials used.

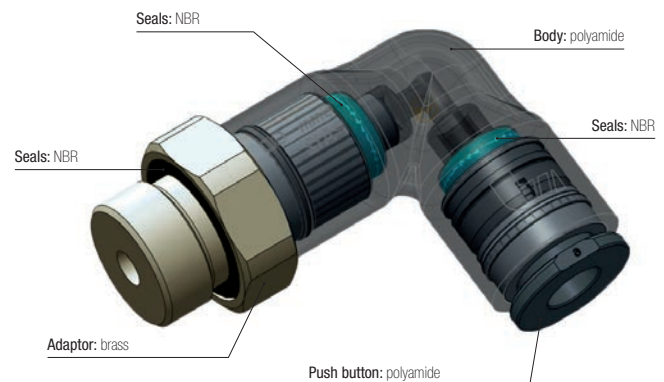
Technical Characteristics

Compatible Fluids	Compressed Air
Working Pressure	16 bar
Working Temperature	-40°C to +100°C Higher peak temperatures are possible, please consult us!

Regulations

Tube support and use with polyamide tubing conforming to the following standards:
 DIN 74324-1
 DIN 73378
 ISO 7628
 NF-R12-632-2
 NF E49-100

Component Materials



Silicone-free

Stud Fittings

3471

Brass, NBR



	ØD	C	
6x4	M10x1.5	3471 06 60	
	M12x1.5	3471 06 67	
8x6	M16x1.5	3471 06 75	
	M12x1.5	3471 08 67	
	M16x1.5	3471 08 75	

3479

Polyamide, NBR



	ØD	C	
6x4	M10x1	3479 06 60	
	M12x1.5	3479 06 67	
	M16x1.5	3479 06 75	
8x6	M12x1.5	3479 08 67	
	M16x1.5	3479 08 75	

3478

Polyamide, NBR



	ØD	C	
6x4	M10x1	3478 06 60	
8x6	M12x1.5	3478 08 67	

3476

Polyamide, NBR



	ØD	
6x4	3476 06 00	
8x6	3476 08 00	

3474

Polyamide, NBR



	ØD	
6x4	3474 06 00	
8x6	3474 08 00	

3467

Polyamide, NBR



	ØD	Ø D1	
8x6	6x4	3467 08 06	

Plug-In Fittings and Accessories

3462

Polyamide, NBR



	Ø D1	Ø D2	
6x4	6	3462 06 00	
8x6	8	3462 08 00	

3463

Polyamide, NBR



	Ø D1	Ø D2	
6x4	6	3463 06 00	

3464

Polyamide, NBR



	Ø D1	Ø D2	
6x4	8	3464 06 08	

3150

Polyamide



	ØD	
6	3150 06 59	
8	3150 06 60	

3470

Polyamide, NBR



	ØD	
6x4	3470 06 00	

Cartridges

Designed for tubing insertion in non-threaded cavities, our cartridges guarantee the integrity of the sealing system on auxiliary systems of on-board vehicles.

Product Advantages

Time Saving during Installation

No thread to be machined for inserting the cartridge in the housing.
Seal pre-assembled, greased and protected.
Connection fully integrated in the cavity.
Excellent alignment of the cartridge thanks to the protection sleeve.

Reinforced Security of Equipment with our High Performance Cartridge

Increased lifespan thanks to the temperature resistance from -40°C to +100°C.
Gripping ring technology allowing a better mechanical resistance.
High chemical resistance.

Quality and Traceability of our Products

Systematic Vision-control to guarantee all components present and correctly assembled.
Only Premium quality raw materials used.

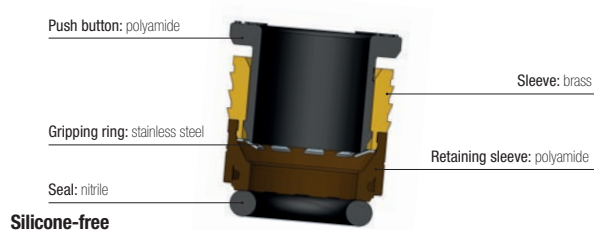


Technical Characteristics

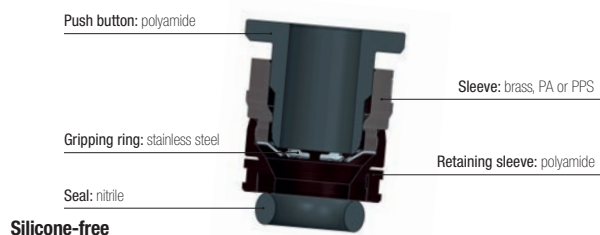
Compatible Fluids	Compressed Air
Working Pressure	Vacuum to 16 bar
Working Temperature	Standard cartridge: -40°C to +80°C High performance cartridges: -40°C to +100°C

Please, consult us for drawings of cavity dimensions and tolerances.

3100 Component Materials Standard Cartridge



3400 Component Materials High Performance Cartridge



Products

3100

Brass, Technical polymer, NBR

ØD	
4	3100 00 00 54
6	3100 00 00 55
8	3100 00 00 56
10	3100 00 00 57



3400xx00

Technical polymer, NBR

ØD	
6	3400 06 00
8	3400 08 00



Retaining sleeve in PPS suitable for plastic cavity with groove.

3400xx01

Technical polymer, NBR

ØD	
6	3400 06 01
8	3400 08 01



Retaining sleeve in PA suitable for metal cavity with groove.

3400xx02

Brass, Technical polymer, NBR

ØD	
6	3400 06 02
8	3400 08 02



Retaining sleeve in brass suitable for plastic and metal cavity without groove.

Prestofuel-Fittings

For fuel line between the fuel tank and the engine, we developed Prestomatic Fuel fittings.

Product Advantages

Reliability | All our Fuel fittings are supplied with seals that are compatible with air, diesel and bio diesel 20%.
We offer straight connectors, 90° elbows and SAEJ2044 adaptors.

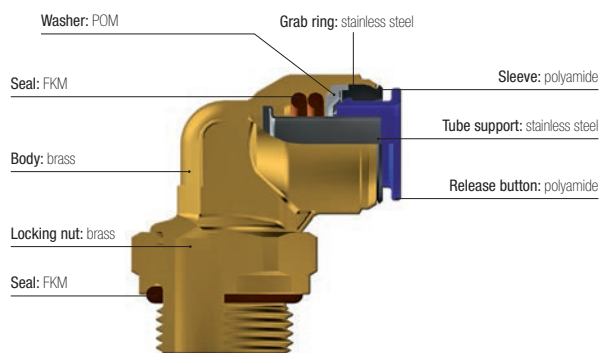
Quality and Traceability of our Products | 100% leak-tested products in production.
Systematic Vision-control to guarantee the production process robustness.
Individual component traceability and products date code.
Premium and pure raw material required from our suppliers.



Technical Characteristics

Compatible Fluids	Compressed air, diesel, bio fuel B20 RME and fuel
Working Pressure	25 bar
Working Temperature	-40°C to +100°C For lower temperature applications, please consult us!

Component Materials



Silicone-free

Products

F8UNDFB-V

Brass, NBR



ØD	C	
10x7.5	M16x1.5	F8UNDBFB10M16V
12x9	M14x1.5	F8UNDBFB12M14V
	M16x1.5	F8UNDBFB12M16V
16x12	M16x1.5	F8UNDBFB16M16V

C8UNDFB-V

Brass, NBR



ØD	C	
10x7.5	M22x1.5	C8UNDFB10M22V
12x9	M14x1.5	C8UNDFB12M14V
	M16x1.5	C8UNDFB12M16V
16x12	M16x1.5	C8UNDFB16M16V

F8USAEBV

Brass, NBR



S*	C	
8 mm - 5/16"	M12x1.5	M12-8F8USAEBV
9.5mm - 3/8"	M12x1.5	M12-9.5F8USAEBV
10 mm - 7/16"	M12x1.5	M12-10F8USAEBV
	M16x1.5	M16-10F8USAEBV
16 mm - 5/8"	M12x1.5	M12-16F8USAEBV
12 mm	M16x1.5	M16-12F8USAEBV

*SAE J2044 nominal coupling size

PA Tubing DIN74324

In addition to our range of fittings, we have a tubing offer which meets the performance requirements of DIN 74324-1 and DIN 73378 standards.

Product Advantages

Time Saving in Assembly

Packaging according to customer requirements.
 Tube cutting to the required length upon special request.
 All length tube marking for immediate identification and easy handling.
 Customised tube marking on demand (fluid identification, customer part number etc...).

Options of Material Supply

Validated alternative materials meeting the performance requirements of DIN 74324-1 and ISO 7628, available on-request.

Quality and Traceability of our Products

Premium and pure raw material required from our suppliers.
 Continuous calibration during production for excellent reliability.
 Traceability with marking of manufacturing batch.
 Coloured tubing on-request for easy circuit identification.



Technical Characteristics

Tubing	Semi-Rigid PA
Compatible Fluids	Compressed air, other fluids
Working Pressure	Vacuum to 50 bar <i>Subject to temperature</i>
Working Temperature	-40°C to +100°C

Reliable performance is dependent upon the type of fluid conveyed and fittings being used. Use is guaranteed with a vacuum of 755 mm Hg (99% vacuum).

Regulations

Chemical performance and resistance tested according to DIN 74324 -1 / DIN 73378 / ISO 7628

Packaging

- Reels
- Drum up to 1000m
- 25m tubepack

All our systems are in-house lab-tested to guarantee you the perfect sealing between our tubes and connectors.

As we are experts in Fluid Handling Solutions, we also support you in selecting the optimum tubing solution for your application.

Related Products

LF 3000 Push-In Fittings



Fluids: compressed air
Materials: technical polymer, nickel-plated brass, NBR
Pressure: 20 bar
Temperature: -20°C to +80°C
Ø metric: 3 mm to 16 mm

LF 3600 Push-In Fittings



Fluids: compressed air, slightly corrosive industrial fluids
Materials: high phosphorus nickel-plated brass, FKM
Pressure: 30 bar
Temperature: -25°C to +150°C
Ø metric: 4 mm to 14 mm

Adaptors



Fluids: compressed air, non-corrosive industrial fluids
Materials: brass, steel, stainless steel
Pressure: 1/8" to 1/2": 200 bar
 3/4" and 1": 150 bar
 1 1/4" to 2": 100 bar, without sealing washer
Temperature:
 brass: -60°C to +150°C without sealing washer
 brass: -20°C to +100°C with sealing washer
 stainless steel: -20°C to +180°C
 steel: -10°C bis +80°C

Function Fittings



Function: control the speed of the cylinder rod
Materials: polymer, metal, stainless steel
Pressure: 10 bar
Temperature: -0°C to +70°C
 -25°C to +70°C (metal version)
Ø metric: 3 mm to 18 mm
Threads: BSPP, BSPT, metric

Silencer



Fluids: compressed air, non-corrosive industrial fluids
Materials: sintered bronze, polyethylene, stainless steel, nickel-plated brass
Pressure: 12 bar
Temperature: -20°C to +180°C
Ø metric: 4 mm to 12 mm
Threads: BSPP, NPT, metric

Blowguns kit



Fluids: compressed air
Materials: brass, technical polymer
Pressure: 10 bar
Temperature: -15°C to +50°C
DN : according to model

Brass Compression Fittings



Fluids: compressed air, non-corrosive industrial fluids
Materials: forged or machined brass
Pressure: 550 bar
Temperature: -60°C to +250°C
Ø metric: 4 mm to 28 mm

Universal Customised Series Ball Valves



Fluids: O₂, compressed air, many fluids
Materials: nickel-plated forged brass, choice of seal material (NBR, EPDM, FKM, PTFE...)
Pressure: 40 bar
Temperature: -40°C to +100°C
DN : 4 mm to 40 mm

Axial Valves



Fluids: compressed air, industrial fluids
Materials: nickel-plated brass
Pressure: 10 bar
Temperature: -20°C to +135°C
Threads: 3/8" to 2"

Many more products available on www.parkerlegris.com



Customer Support

As partners in your plans, we offer you support and guidance in your projects.

FSCE has implemented a platform organization dedicated to OEM customers.

As we know your application, as we carry all required in-house capabilities, we can deliver fully adapted solutions.

Design & Engineering:

- Co-creation & validation loop with the user (Design thinking approach)
- Customer product validation with our prototyping department (3D printing, plastic injection, machining components)
- Integration of our product data into your information systems
- 2D and 3D Drawings available in your format

Quality Management:

- Technical support all the product lifetime
- PPAP
- Certificates of conformity for our products

Supply Chain Support:

- On time delivery guarantee
- Improved Stock: management packaging, bar codes and customized labels

Special Products:

- Ability to modify or adapt our products on demand: shape modification, temperature range, chemical compatibility...
Longer threads, different types of seal, special additives and materials, custom colours, customised marking, specific packaging, pre-formed tubing, packaged solutions... are all parameters which we can easily modify
- Design of your unique product: manifolds, fittings with silencer Two-in-one, wheel valves for tyre pressure management...

**Our team is at your service,
please do not hesitate to consult us.**



THIS IS PARKER

*Our
DNA*

*Inventor of push-to-connect technology
We constantly strive to design, manufacture & customize
Innovative fluid handling solutions*

Solving the World's Greatest Transportation Challenges

Our goal is to develop innovative products that serve the needs of humanity, meet emission legislation requirements, and reduce fuel consumption.

www.parkerlegris.com



ENGINEERING YOUR SUCCESS.

Parker's Motion & Control Technologies

At Parker, we're guided by a relentless drive to help our customers become more productive and achieve higher levels of profitability by engineering the best systems for their requirements. It means looking at customer applications from many angles to find new ways to create value. Whatever the motion and control technology need, Parker has the experience, breadth of product and global reach to consistently deliver. No company knows more about motion and control technology than Parker. For further info call 00800 27 27 5374.



Aerospace

Key Markets

Aftermarket services
Commercial transports
Engines
General & business aviation
Helicopters
Launch vehicles
Military aircraft
Missiles
Power generation
Regional transports
Unmanned aerial vehicles

Key Products

Control systems & actuation products
Engine systems & components
Fluid conveyance systems & components
Fluid metering, delivery & atomization devices
Fuel systems & components
Fuel tank inerting systems
Hydraulic systems & components
Thermal management
Wheels & brakes



Climate Control

Key Markets

Agriculture
Air conditioning
Construction Machinery
Food & beverage
Industrial machinery
Life sciences
Oil & gas
Precision cooling
Process
Refrigeration
Transportation

Key Products

Accumulators
Advanced actuators
CO₂ controls
Electronic controllers
Filter driers
Hand shut-off valves
Heat exchangers
Hose & fittings
Pressure regulating valves
Refrigerant distributors
Safety relief valves
Smart pumps
Solenoid valves
Thermostatic expansion valves



Electromechanical

Key Markets

Aerospace
Factory automation
Life science & medical
Machine tools
Packaging machinery
Paper machinery
Plastics machinery & converting
Primary metals
Semiconductor & electronics
Textile
Wire & cable

Key Products

AC/DC drives & systems
Electric actuators, gantry robots & slides
Electrohydraulic actuation systems
Electromechanical actuation systems
Human machine interface
Linear motors
Stepper motors, servo motors, drives & controls
Structural extrusions



Filtration

Key Markets

Aerospace
Food & beverage
Industrial plant & equipment
Life sciences
Marine
Mobile equipment
Oil & gas
Power generation & renewable energy
Process
Transportation
Water Purification

Key Products

Analytical gas generators
Compressed air filters & dryers
Engine air, coolant, fuel & oil filtration systems
Fluid condition monitoring systems
Hydraulic & lubrication filters
Hydrogen, nitrogen & zero air generators
Instrumentation filters
Membrane & fiber filters
Microfiltration
Sterile air filtration
Water desalination & purification filters & systems



Fluid & Gas Handling

Key Markets

Aerial lift
Agriculture
Bulk chemical handling
Construction machinery
Food & beverage
Fuel & gas delivery
Industrial machinery
Life sciences
Marine
Mining
Mobile
Oil & gas
Renewable energy
Transportation

Key Products

Check valves
Connectors for low pressure fluid conveyance
Deep sea umbilicals
Diagnostic equipment
Hose couplings
Industrial hose
Mooring systems & power cables
PTFE hose & tubing
Quick couplings
Rubber & thermoplastic hose
Tube fittings & adapters
Tubing & plastic fittings



Hydraulics

Key Markets

Aerial lift
Agriculture
Alternative energy
Construction machinery
Forestry
Industrial machinery
Machine tools
Marine
Material handling
Mining
Oil & gas
Power generation
Refuse vehicles
Renewable energy
Truck hydraulics
Turf equipment

Key Products

Accumulators
Cartridge valves
Electrohydraulic actuators
Human machine interfaces
Hybrid drives
Hydraulic cylinders
Hydraulic motors & pumps
Hydraulic systems
Hydraulic valves & controls
Hydrostatic steering
Integrated hydraulic circuits
Power take-offs
Power units
Rotary actuators
Sensors



Pneumatics

Key Markets

Aerospace
Conveyor & material handling
Factory automation
Life science & medical
Machine tools
Packaging machinery
Transportation & automotive

Key Products

Air preparation
Brass fittings & valves
Manifolds
Pneumatic accessories
Pneumatic actuators & grippers
Pneumatic valves & controls
Quick disconnects
Rotary actuators
Rubber & thermoplastic hose & couplings
Structural extrusions
Thermoplastic tubing & fittings
Vacuum generators, cups & sensors



Process Control

Key Markets

Alternative fuels
Biopharmaceuticals
Chemical & refining
Food & beverage
Marine & shipbuilding
Medical & dental
Microelectronics
Nuclear Power
Offshore oil exploration
Oil & gas
Pharmaceuticals
Power generation
Pulp & paper
Steel
Water/wastewater

Key Products

Analytical Instruments
Analytical sample conditioning products & systems
Chemical injection fittings & valves
Fluoropolymer chemical delivery fittings, valves & pumps
High purity gas delivery fittings, valves, regulators & digital flow controllers
Industrial mass flow meters/controllers
Permanent no-weld tube fittings
Precision industrial regulators & flow controllers
Process control double block & bleeds
Process control fittings, valves, regulators & manifold valves



Sealing & Shielding

Key Markets

Aerospace
Chemical processing
Consumer
Fluid power
General industrial
Information technology
Life sciences
Microelectronics
Military
Oil & gas
Power generation
Renewable energy
Telecommunications
Transportation

Key Products

Dynamic seals
Elastomeric o-rings
Electro-medical instrument design & assembly
EMI shielding
Extruded & precision-cut, fabricated elastomeric seals
High temperature metal seals
Homogeneous & inserted elastomeric shapes
Medical device fabrication & assembly
Metal & plastic retained composite seals
Shielded optical windows
Silicone tubing & extrusions
Thermal management
Vibration dampening



ENGINEERING YOUR SUCCESS.



Parker Worldwide

Europe, Middle East, Africa

AE – United Arab Emirates,

Dubai
Tel: +971 4 8127100
parker.me@parker.com

AT – Austria, Wiener Neustadt

Tel: +43 (0)2622 23501-0
parker.austria@parker.com

AT – Eastern Europe, Wiener

Neustadt
Tel: +43 (0)2622 23501 900
parker.easteurope@parker.com

AZ – Azerbaijan, Baku

Tel: +994 50 2233 458
parker.azerbaijan@parker.com

BE/LU – Belgium, Nivelles

Tel: +32 (0)67 280 900
parker.belgium@parker.com

BG – Bulgaria, Sofia

Tel: +359 2 980 1344
parker.bulgaria@parker.com

BY – Belarus, Minsk

Tel: +48 (0)22 573 24 00
parker.poland@parker.com

CH – Switzerland, Etoy

Tel: +41 (0)21 821 87 00
parker.switzerland@parker.com

CZ – Czech Republic, Klecany

Tel: +420 284 083 111
parker.czechrepublic@parker.com

DE – Germany, Kaarst

Tel: +49 (0)2131 4016 0
parker.germany@parker.com

DK – Denmark, Ballerup

Tel: +45 43 56 04 00
parker.denmark@parker.com

ES – Spain, Madrid

Tel: +34 902 330 001
parker.spain@parker.com

FI – Finland, Vantaa

Tel: +358 (0)20 753 2500
parker.finland@parker.com

FR – France, Contamine s/Arve

Tel: +33 (0)4 50 25 80 25
parker.france@parker.com

GR – Greece, Athens

Tel: +30 210 933 6450
parker.greece@parker.com

HU – Hungary, Budaörs

Tel: +36 23 885 470
parker.hungary@parker.com

IE – Ireland, Dublin

Tel: +353 (0)1 466 6370
parker.ireland@parker.com

IT – Italy, Corsico (MI)

Tel: +39 02 45 19 21
parker.italy@parker.com

KZ – Kazakhstan, Almaty

Tel: +7 7273 561 000
parker.easteurope@parker.com

NL – The Netherlands, Oldenzaal

Tel: +31 (0)541 585 000
parker.nl@parker.com

NO – Norway, Asker

Tel: +47 66 75 34 00
parker.norway@parker.com

PL – Poland, Warsaw

Tel: +48 (0)22 573 24 00
parker.poland@parker.com

PT – Portugal, Leca da Palmeira

Tel: +351 22 999 7360
parker.portugal@parker.com

RO – Romania, Bucharest

Tel: +40 21 252 1382
parker.romania@parker.com

RU – Russia, Moscow

Tel: +7 495 645-2156
parker.russia@parker.com

SE – Sweden, Spånga

Tel: +46 (0)8 59 79 50 00
parker.sweden@parker.com

SK – Slovakia, Banská Bystrica

Tel: +421 484 162 252
parker.slovakia@parker.com

SL – Slovenia, Novo Mesto

Tel: +386 7 337 6650
parker.slovenia@parker.com

TR – Turkey, Istanbul

Tel: +90 216 4997081
parker.turkey@parker.com

UA – Ukraine, Kiev

Tel: +380 44 494 2731
parker.ukraine@parker.com

UK – United Kingdom, Warwick

Tel: +44 (0)1926 317 878
parker.uk@parker.com

ZA – South Africa, Kempton Park

Tel: +27 (0)11 961 0700
parker.southafrica@parker.com

North America

CA – Canada, Milton, Ontario

Tel: +1 905 693 3000

US – USA, Cleveland

Tel: +1 216 896 3000

Asia Pacific

AU – Australia, Castle Hill

Tel: +61 (0)2-9634 7777

CN – China, Shanghai

Tel: +86 21 2899 5000

HK – Hong Kong

Tel: +852 2428 8008

IN – India, Gurgaon

Tel: +91 124 459 0600
legris.india@parker.com

JP – Japan, Tokyo

Tel: +81 (0)3 6408 3901

KR – South Korea, Seoul

Tel: +82 2 559 0400

MY – Malaysia, Shah Alam

Tel: +60 3 7849 0800

NZ – New Zealand, Mt Wellington

Tel: +64 9 574 1744

SG – Singapore

Tel: +65 6887 6300

TH – Thailand, Bangkok

Tel: +662 186 7000

TW – Taiwan, Taipei

Tel: +886 2 2298 8987

South America

AR – Argentina, Buenos Aires

Tel: +54 3327 44 4129

BR – Brazil, Sao Jose dos Campos

Tel: +55 800 727 5374

CL – Chile, Santiago

Tel: +56 2 623 1216

MX – Mexico, Toluca

Tel: +52 72 2275 4200

European Product Information Centre

Free phone: 00 800 27 27 5374

(from AT, BE, CH, CZ, DE, DK, EE, ES, FI, FR, IE, IL, IS, IT, LU, MT, NL, NO, PL, PT, RU, SE, SK, UK, ZA)

© 2017 Parker Hannifin Corporation. All rights reserved.

Fluid System Connectors Europe
Parker Hannifin Manufacturing France SAS
Parker Hannifin Corporation
Parc Alcyone- Bâtiment D
1 rue André et Yvonne Meynier
35069 Rennes - France
Phone: +33 (0)2 99 25 55 00
Fax: +33 (0)2 99 25 55 99
www.parkerlegris.com

